



PILATUS AIRCRAFT LTD. CH-6371 STANS, SWITZERLAND

# SERVICE LETTER

**SUBJECT: CREW SEAT PAN WEB - REPAIR**

To all Customers and Operators:

Date: Feb 06/03

This Service Letter is issued to draw attention to the following vendor information:

**IAI Ltd. Service Bulletin 5PC41000\_MOD1 - (Minor Change)**

PILATUS recommends the incorporation of IAI Service Bulletin 5PC41000\_MOD1 as a means to repair cracked seat pan webs in crew seats with the following PILATUS and vendor part numbers:

PILATUS Part No.	Vendor Part No.	PILATUS Part No.	Vendor Part No.
959.30.01.111	5PC41000-501	959.30.01.131	5PC41000-505
959.30.01.112	5PC41000-502	959.30.01.132	5PC41000-506
959.30.01.121	5PC41000-503	959.30.01.133	5PC41000-507
959.30.01.122	5PC41000-504	959.30.01.134	5PC41000-508

The necessary (vendor) parts are contained in Modification Kit P/N: 500.50.12.801. Customers and Operators can obtain the kits as required from PILATUS.

Credit will be issued for all affected aircraft on approval of a warranty claim; provided the work is accomplished by an authorized Service Center within 12 months from the effective date of this Service Letter.

Operators requiring further information on this subject, please contact one of the addresses given below:

PILATUS AIRCRAFT LTD.,  
CUSTOMER LIAISON MANAGER,  
CH-6371 STANS,  
SWITZERLAND.

General Aviation  
Tel : + 41 41 619 6319  
Fax: + 41 41 619 6224  
eMail: pilga@pilatus-aircraft.com  
Government  
Tel: + 41 41 619 6509  
Fax: + 41 41 619 6224  
eMail: rpaterson@pilatus-aircraft.com

PILATUS BUSINESS AIRCRAFT LTD.,  
PRODUCT SUPPORT DEPARTMENT,  
11755 AIRPORT WAY,  
BROOMFIELD, CO 80021,  
USA

Tel : 303 465 9099  
Fax: 303 465 6040  
eMail: Productsupport@PilBal.com

PILATUS AUSTRALIA (Pty.) LTD.,  
PO BOX 732,  
MARLESTON SA 5033,  
AUSTRALIA

Tel : (08) 8234 4433  
Fax: (08) 8234 4499  
Free Call: 1800 445 007  
eMail: info@pilatus.com.au

**Attachments:** IAI Ltd. Service Bulletin 5PC41000\_MOD1 - (Minor Change)



Document No. : SB_5PC41000_MOD1	Document Revision : C
Project : PC12 Crew Seat	Date : 25-09-2002
Subject : Seat Pan Repair	Security Class. : U/C

## STANDARD

### SERVICE BULLETIN : 5PC41000\_MOD1 - (Minor Change)

#### SUBJECT: Repair Of Seat Pan Web Of PC12 Crew Seat

#### 1. PLANNING INFORMATION

##### A. EFFECTIVITY

Crew Seats P/N 5PC41000-501/-502/-503/-504/-505/-506/-507/-508 Supplied To Customers, S/N 003-999

##### B. REASON

Seat pan web cracked during service.

##### C. DESCRIPTION

This Service Bulletin gives instructions for repair of seat pan webs that are found cracked during service, by adding doublers in the cracked area.

This procedure is effective to each seat that already supplied and found cracked .

##### D. COMPLIANCE

It is mandatory to repair detected cracks during the next annual inspection.

Document No. : SB_5PC41000_MOD1	Document Revision : C
Project : PC12 Crew Seat	Date : 25-09-2002
Subject : Seat Pan Repair	Security Class. : U/C

**E. APPROVAL**

This Service Bulletin has been reviewed and approved by Pilatus.

**F. MAN-HOUR REQUIREMENTS**

The following information is for planning purpose only:

- (1) Estimated man-hours: 0.5 Hour/Seat
- (2) Suggested number of personnel: 1.

The above is an estimate only, based on experienced personnel complying with this service bulletin. It is possible, depending on individual experience levels, that additional or fewer man-hours are required to accomplish this bulletin.

**G. MATERIAL**

The SB kit contains repair material for one crew seat pan (two cracks respectively).

SB-Kit: IAI P/N : 5PC41990-501

- Doubler P/N 5PC41301-001                      QTY. 2            (one per crack)
- Cherry max Rivets CR3213-5-3              QTY. 16          (eight per doubler)

**H. TOOLING**

No special tools are required.

**I. WEIGHT AND BALANCE**

Negligible.

Document No. : SB_5PC41000_MOD1	Document Revision : C
Project : PC12 Crew Seat	Date : 25-09-2002
Subject : Seat Pan Repair	Security Class. : U/C

**J. ELECTRICAL LOAD DATA**

N/A

**K. REFERENCE**

1. 5PC41000-501MOD1 (Modification drawings).
2. Figure 1 Repair Overview

**L. PUBLICATIONS AFFECTED**

N/A

**2. ACCOMPLISHMENT INSTRUCTIONS****Instructions**

- 1) Obey the instructions provided in the PC12 aircraft maintenance manual (AMM) to remove the seat from the cockpit.
- 2) Remove the seat cushion (1).
- 3) Use a drill Ø3.8mm to remove the rivet (2) and the broken attachment strap (3) of the seat pan (4). Discard the rivets (2).
- 4) Use clamp fasteners to clamp the broken attachment strap (3) together with the doubler (5) to the front tube of the seat pan (4) and use the doubler (5) as a template to drill the holes in the seat pan (4).
- 5) Use clamp fasteners to clamp the doubler (5) to the seat pan (4) and drill the holes in the attachment strap of the doubler (5).
- 6) Remove the clamp fasteners, the broken attachment strap (3) and the doubler (5) and deburr the seat pan (4) and the doubler (5).

Document No. : SB_5PC41000_MOD1	Document Revision : C
Project : PC12 Crew Seat	Date : 25-09-2002
Subject : Seat Pan Repair	Security Class. : U/C

- 7) Apply a layer of corrosion preventative (Alodine) to the blank area of the front tube of the seat pan (4), the seat pan (4), the doubler (5) and the broken attachment strap (3).
- 8) Install the attachment strap (3) together with the doubler (5) with the rivets (6) to the seat pan (4).
- 9) Add the "MOD1" to the P/N on the seat name plate (7). The name plate is located at the bottom surface of the pan (4).
- 10) Attach the cushion (1) to the seat pan (4).
- 11) Obey the instructions provided in the PC12 aircraft maintenance manual (AMM) to install the seat into the cockpit.

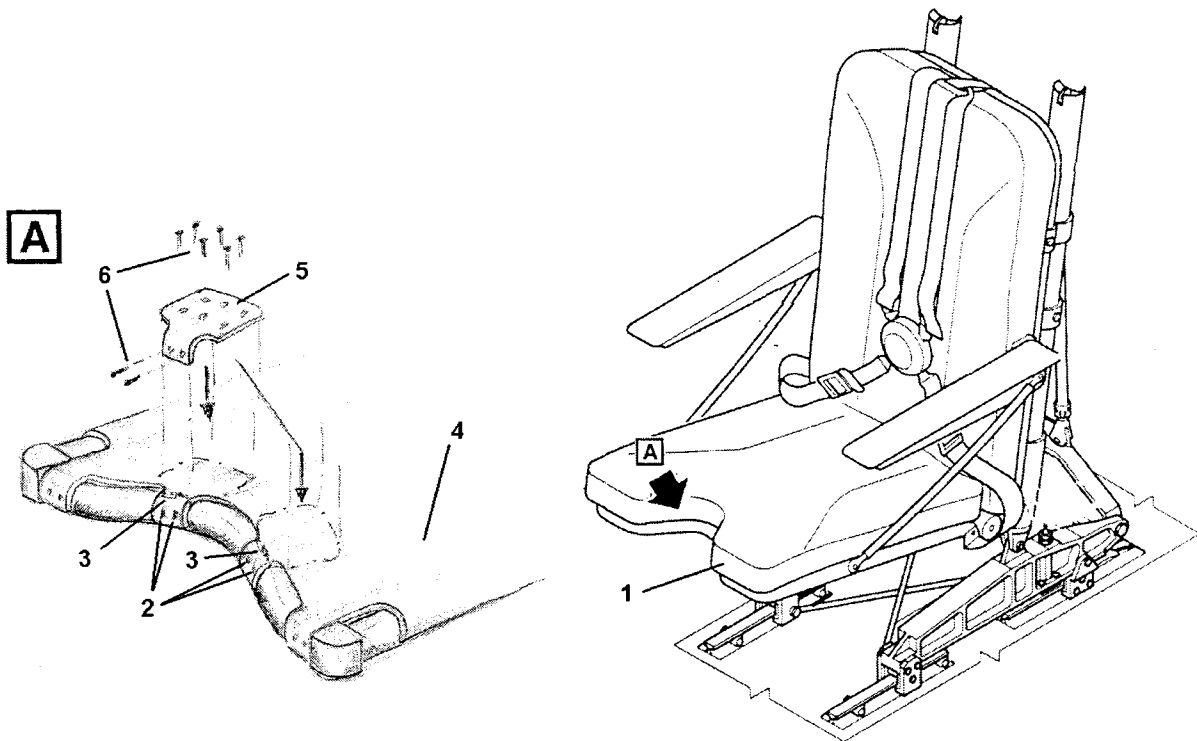


Figure 1 Repair Overview

Document No. : SB_5PC41000_MOD1	Document Revision : C
Project : PC12 Crew Seat	Date : 25-09-2002
Subject : Seat Pan Repair	Security Class. : U/C

**3. COMPLIANCE RECORD**

A. Make the following entry in the aircraft log book:

Service Bulletin No. SB\_5PC41000-MOD1 , titled "Repair The Seat Pan Of Crew Seat For The PC12 " has been accomplished this date: \_\_\_\_\_

on seats S/N: \_\_\_\_\_.

