

 Crafted in Switzerland

PC-7 MKX

THE SMART BASIC TRAINER  
MODEL BUILDING PLAN 1:25



 **PILATUS** 



# PC-7 MKX

## PERFORMANCE

### TAKE-OFF AND LANDING

Take-off ground roll (sea level)	935 ft	285 m
Take-off distance (50 ft (15m) obstacle)	1,510 ft	460 m
Landing ground roll (sea level)	1,110 ft	338 m
Landing distance (50 ft (15m) obstacle)	2,264 ft	690 m

### CLIMB

Maximum rate of climb at maximum power:

Sea level	2,675 ft/min	815 m/min
5,000 ft	2,345 ft/min	715 m/min
10,000 ft	1,900 ft/min	580 m/min
20,000 ft	945 ft/min	290 m/min

### CRUISE

Maximum cruise speed: Sea level	240 KTAS	445 km/h
10,000 ft	251 KTAS	465 km/h
20,000 ft	238 KTAS	441 km/h

### SUSTAINED LOAD FACTOR

Sea level	3.2 g
10,000 ft	2.5 g
20,000 ft	1.7 g

### CERTIFICATION

Federal Aviation Regulation Part 23. The PC-7 MKX is fully civil certified by using the PC-7 MkII type certificate.

## FEATURES



- 1 Hartzell four-blade aluminium propeller
- 2 Most dependable Pratt & Whitney PT6A-25C engine with lower environmental impact due to single-engine concept
- 3 Robust landing gear for hard landings
- 4 Anti-g system
- 5 Bird strike resistant canopy

- 6 Environmental Control System to keep cockpit cool or warm
- 7 Stepped tandem seating for increased instructor visibility
- 8 Martin Baker ejection seats
- 9 On board Oxygen Generating System
- 10 High-strength aluminium structure for durability
- 11 Capability to carry underwing fuel tanks

# PC-7 MKX

## DIMENSIONS AND WEIGHTS

### DIMENSIONS (EXTERIOR)

Wing span	34 ft 3.8 in	10.46 m
Horizontal tail span	12 ft 2 in	3.66 m
Fuselage length	33 ft 7.8 in	10.26 m
Fuselage width	3 ft 2 in	0.97 m

### WEIGHTS

Maximum Operating Weights:

	Acrobatic categoryw	
Maximum ramp weight	5,203 lb	2,360 kg
Maximum take-off weight	5,181 lb	2,350 kg
Maximum landing weight	5,181 lb	2,350 kg
Maximum zero fuel weight	4,409 lb	2,000 kg

	With underwings stores	
Maximum ramp weight	6,305 lb	2,860 kg
Maximum take-off weight	6,283 lb	2,850 kg
Maximum landing weight	6,283 lb	2,850 kg

### ALTITUDE

Maximum operating altitude	25,000 ft	7,260 m
----------------------------	-----------	---------

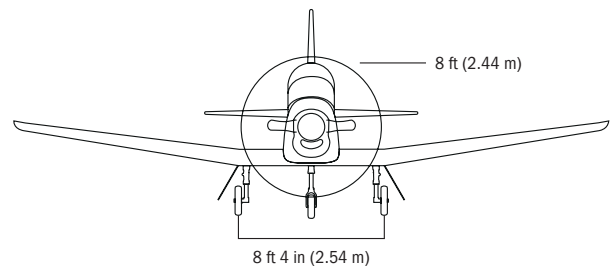
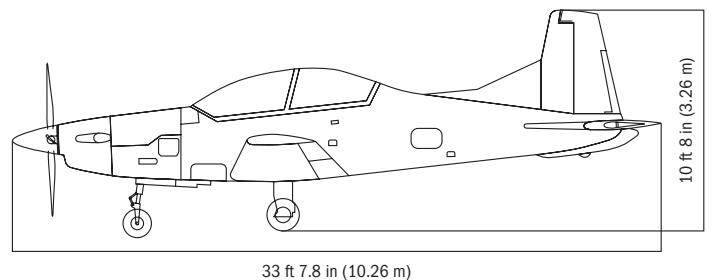
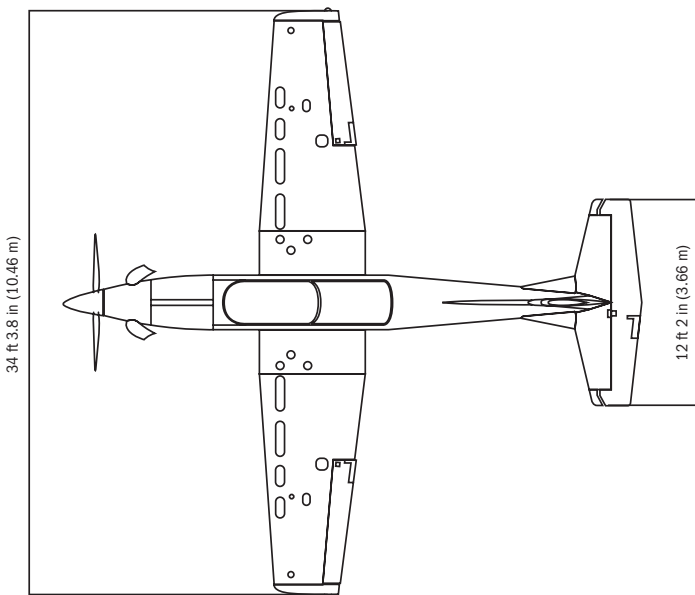
### SPEEDS

Equivalent air speeds at maximum operating weights

	Acrobatic Category (5,181 lb/2,350 kg)	
Maximum operating speed (VMO)	300 kt	556 km/h
Maximum operating mach (MMO)	0.60 M	
Stall speed flaps & gear down (VSO)	69 kt	128 km/h

### LOAD FACTOR

	Acrobatic Category
Maximum positive	+7.0 g
Maximum negative	-3.5 g
	Utility Category
Maximum positive	+4.5 g
Maximum negative	-2.25 g



# PC-7 MKX

## STICKERS 1:5

**FUEL:**  
ASTM-D-1655 JET A, JET A-1 AND JET B  
(CPW 204 SPEC)  
**USABLE CAPACITY**  
259 LTR. 68,4 US. GAL.  
511.21.72.023

**FUEL:**  
ASTM-D-1655 JET A, JET A-1 AND JET B  
(CPW 204 SPEC)  
**USABLE CAPACITY**  
259 LTR. 68,4 US. GAL.  
511.21.72.023

**TIE DOWN POINT**  
  
511.21.09.040A

**TIE DOWN POINT**  
  
511.21.09.040A



**AIRCRAFT LIFT**  
  
511.21.09.040C

**AIRCRAFT LIFT**  
  
511.21.09.040C

**AIRCRAFT LIFT**  
  
511.21.09.040C

**AIRCRAFT LIFT**  
  
511.21.09.040C

**NO STEP OUTBOARD  
OF WALKWAY**  
511.21.09.040B  
**NO STEP OUTBOARD  
OF WALKWAY**  
511.21.09.040B

**BAGGAGE COMPARTMENT  
MAX WEIGHT 25 KG**  
511.21.09.057  
**BAGGAGE COMPARTMENT  
MAX WEIGHT 25 KG**  
511.21.09.057

MTOW2350kg = 125PSI / 8.6bar  
MTOW2850kg = 175PSI / 12bar  
511.21.09.058

MTOW2350kg = 70PSI / 4.8bar  
MTOW2850kg = 85PSI / 5.9bar  
511.21.09.058

**JACK POINT UNDER**  
511.21.09.059  
**JACK POINT UNDER**  
511.21.09.059



**OPERATE INERTIAL SEPARATOR  
TO MAINTENANCE POSITION  
BEFORE COWLING REMOVAL**  
511.21.72.003A

**TURN LIGHT OFF  
WHEN LEAVING COMPARTMENT**  
511.21.72.003B

**DO NOT PUSH**  
511.21.09.060  
**DO NOT PUSH**  
511.21.09.060  
**DO NOT PUSH**  
511.21.09.060  
**DO NOT PUSH**  
511.21.09.060

**NO STEP**  
511.21.09.061  
**NO STEP**  
511.21.09.061  
**NO STEP**  
511.21.09.061  
**NO STEP**  
511.21.09.061

**STEP**  
511.21.09.061

**FUEL SYSTEM  
WATER DRAIN**  
511.21.09.062  
**FUEL SYSTEM  
WATER DRAIN**  
511.21.09.062

**PITOT SYSTEM  
WATER DRAIN**  
511.21.09.058

○ PRESS TO UNLOCK  
511.21.09.055

**TOWBAR INSIDE**  
511.21.09.149

**HYDR. FLUID  
MIL-PRF-5606**  
511.21.09.063  
**HYDR. FLUID  
MIL-PRF-5606**  
511.21.09.063

**REFUELING BONDING POINT**  
511.21.09.064

**STATIC PRESSURE  
KEEP CLEAR**  
518.75.87.503C

**HYDRAULIC COMPARTMENT**  
511.21.09.039

**FUEL COMPARTMENT**  
511.21.09.041

**FUEL SYSTEM  
MAINTENANCE VALVE  
INSIDE**  
511.21.09.023

**REFUELING BONDING POINT**  
511.21.09.064

**STATIC PRESSURE  
KEEP CLEAR**  
518.75.87.503C

**FUEL SYSTEM  
WATER DRAIN  
FUEL FILTER INSIDE**  
511.21.09.065

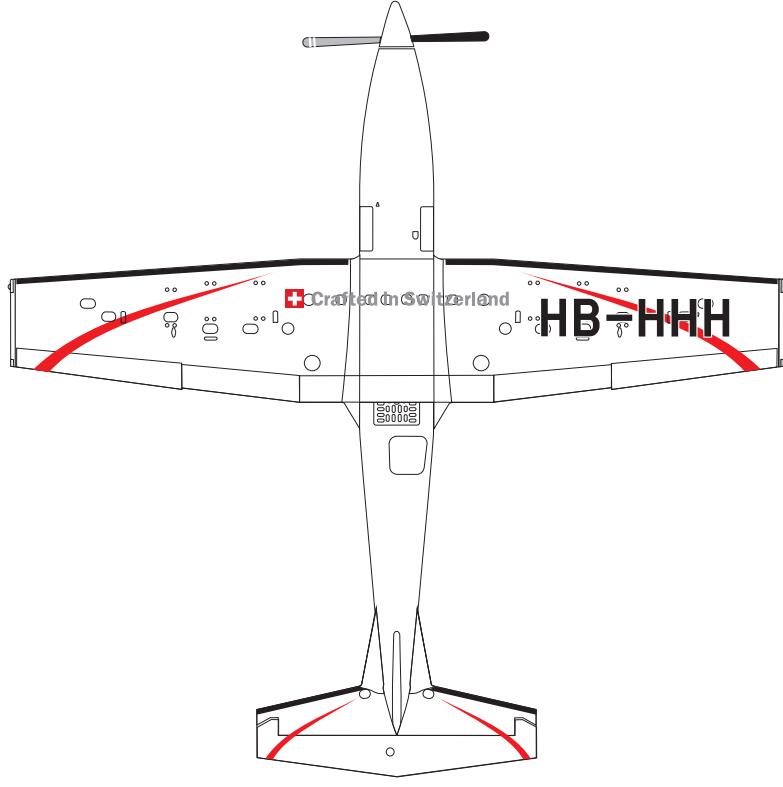
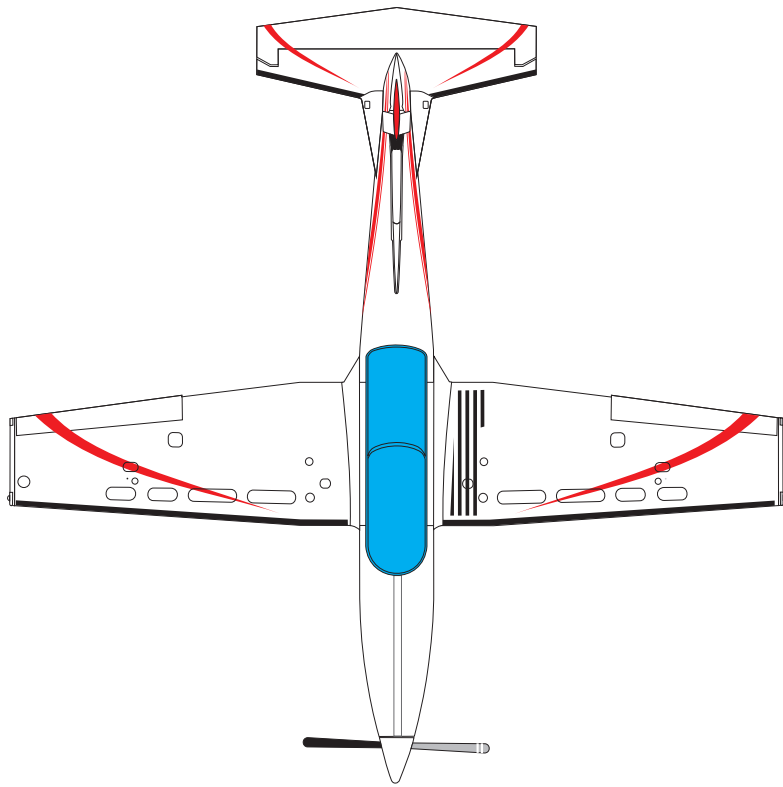
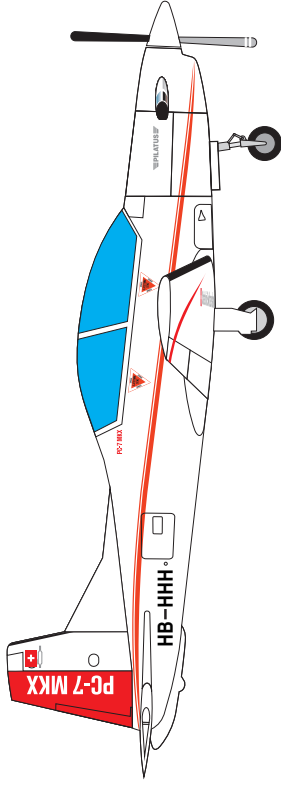
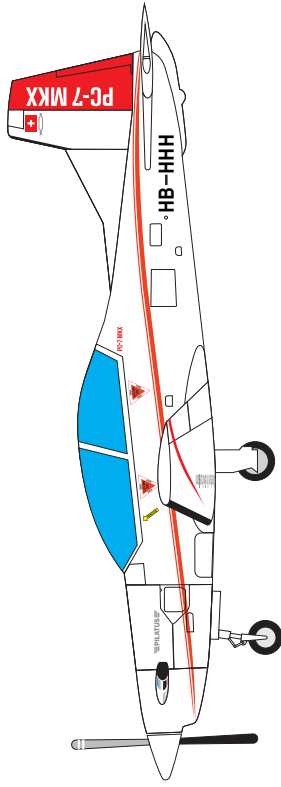
**ENGINE COMPRESSOR WASH**  
511.21.09.022

**DRAIN TANK  
DUMP VALVE**  
511.21.12.054B

**HANDHOLD**  
511.21.09.061

**DANGER AIR BRAKE**  
511.21.09.021

**DANGER AIR BRAKE**  
511.21.09.021

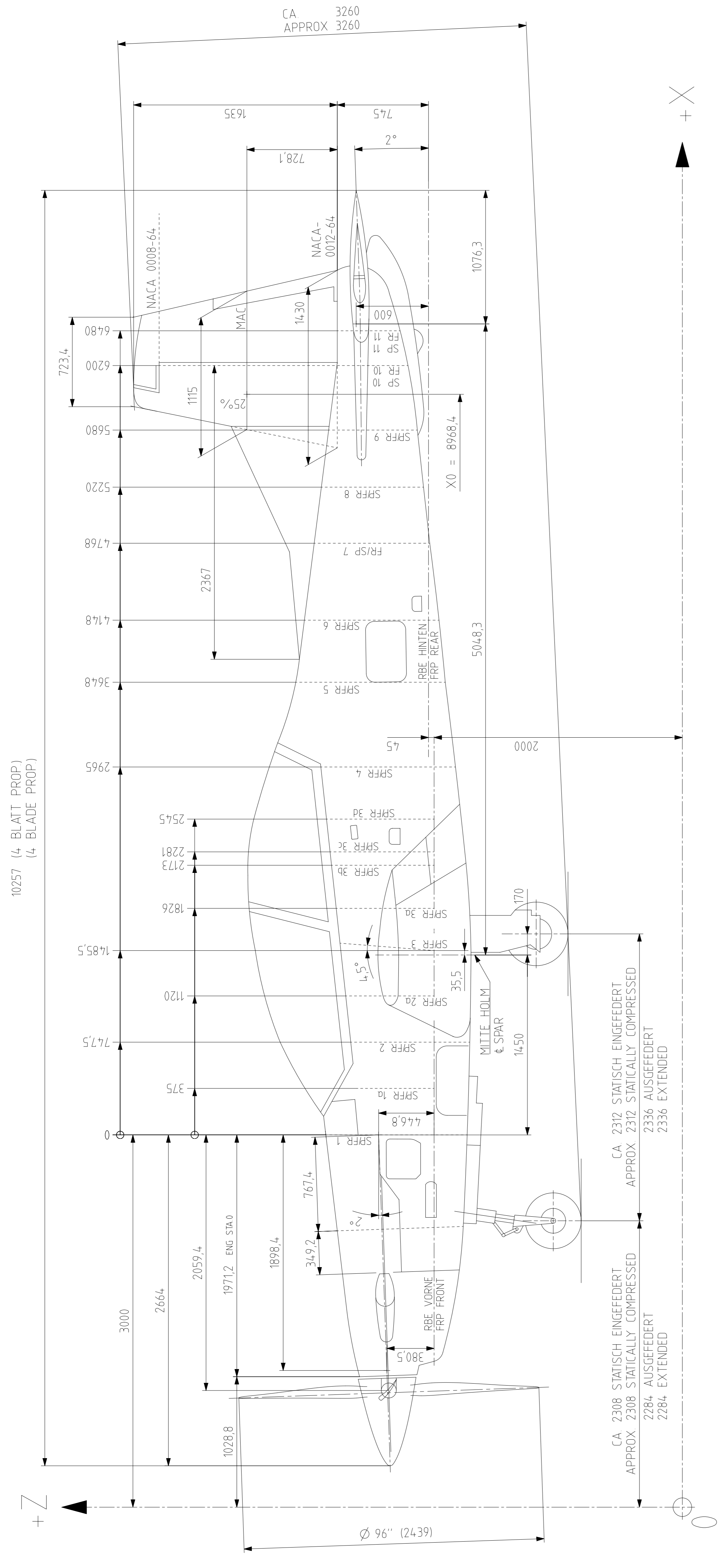


**PAINT SCHEME PROPOSAL**



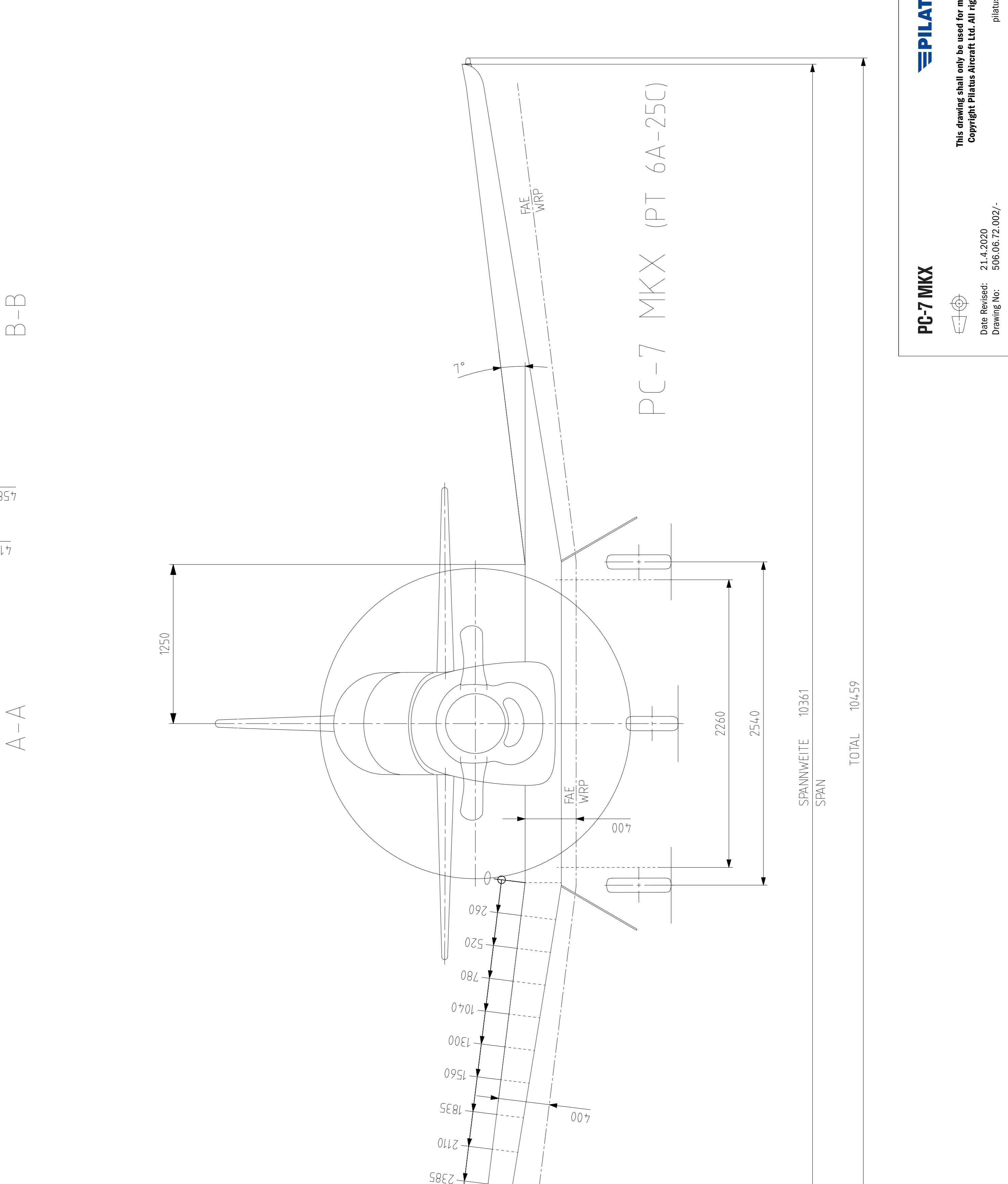
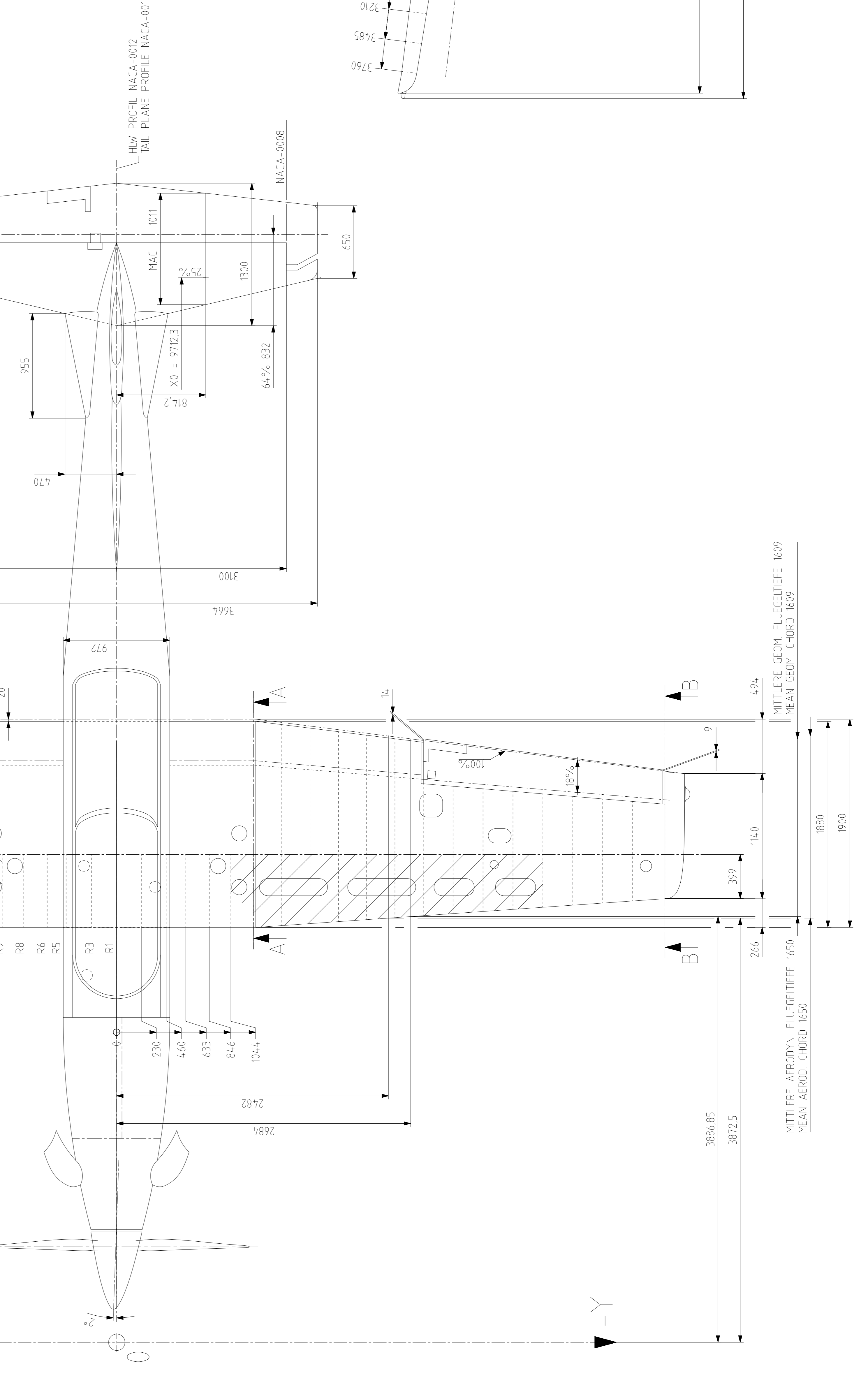
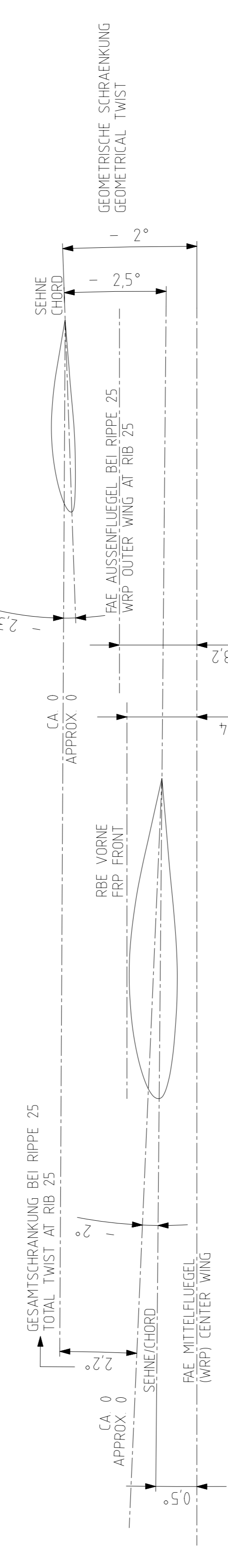
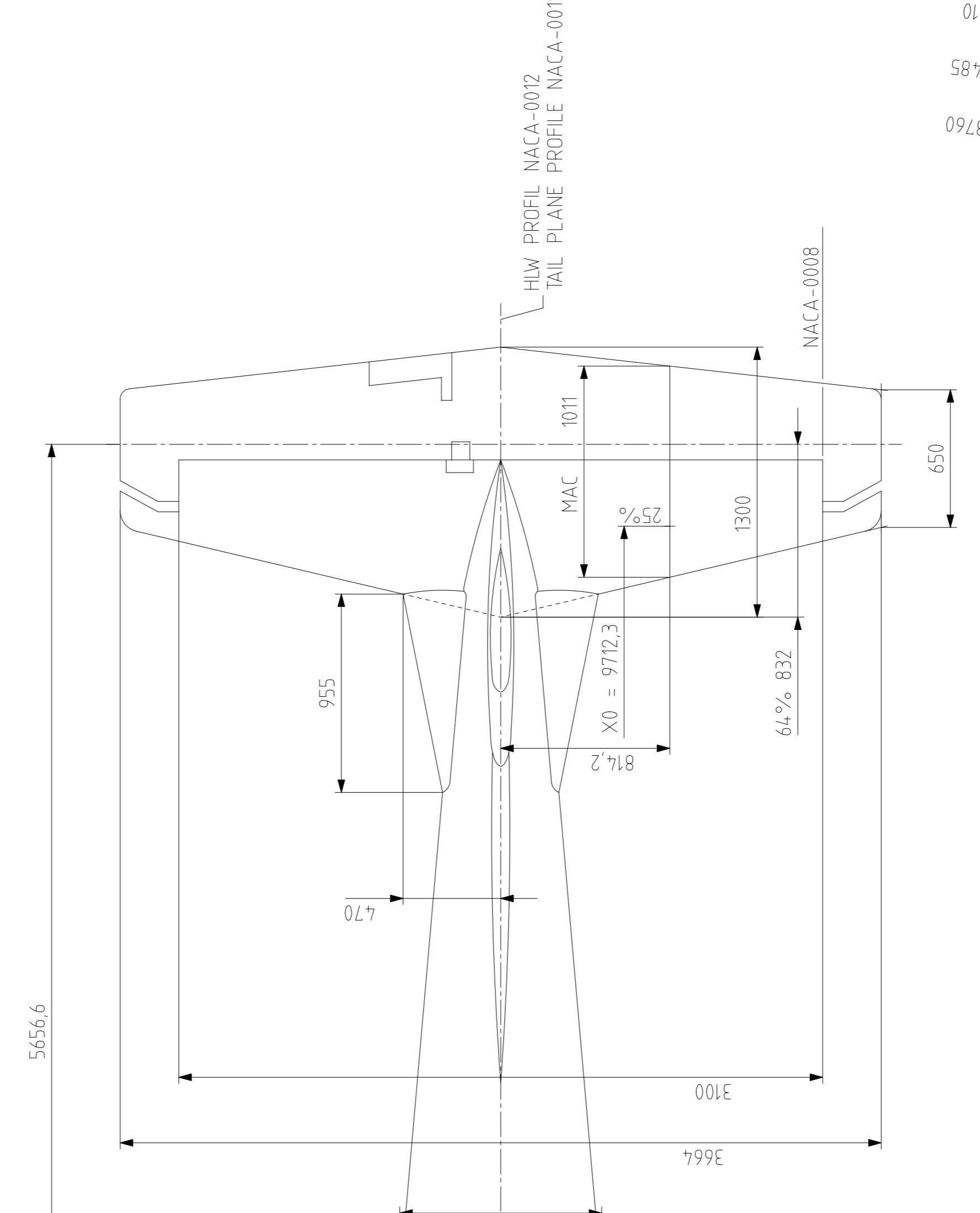
Remark:  
Illustrated colours may vary from proposed colour codes

10257 (4 BLATT PROP) (4 BLADE PROP)



CA 2308 STATISCH ENGEDEHRT  
APPROX 2308 STATICALLY COMPRESSED  
2284 AUSGEDEHRT  
2284 EXTENDED

CA 2310 STATISCH ENGEDEHRT  
APPROX 2310 STATICALLY COMPRESSED  
2336 AUSGEDEHRT  
2336 EXTENDED



Founded in 1939, Pilatus Aircraft Ltd develops and produces the world's most unique aircraft: from the legendary PC-12, the best-selling single-engine turboprop in its class, to the PC-7 MKX and PC-21 and associated simulators, the market-leading systems for pilot training. The brand-new PC-24 is the world's first ever business jet designed for use on short unprepared runways. The Pilatus team consists of over 2,300 exceptional employees who make the company, which is domiciled in Stans, one of the largest and most innovative employers in Central Switzerland. The Pilatus Group also includes independent subsidiaries in the USA and Australia. Pilatus provides training for over 140 apprentices in various professions - job training for young people has always been a very high priority. Pilatus remains committed to Switzerland as a hub for work and new ideas, and acts in a sustainable and environmentally-conscious manner at all times.

